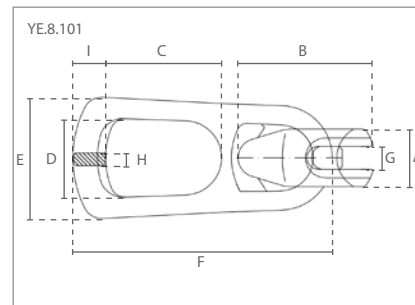
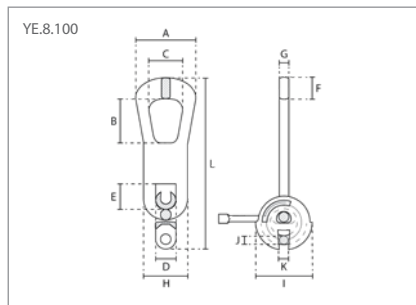




Toebehoren / Rigging Equipment

1. Ringkoppeling /  
Ring coupling

2. Kogelkophaken /  
Lifting clutches



1 Specificaties / Specifications			Afmetingen / Dimensions (mm)												
Artikel nummer Article code	Capaciteit / Capacity ton	Gewicht / Weight kg	A	B	C	D	E	F	G	H	I	J	K	L	
YE.8.100.025	0.70 - 2.50	1.6	95	70	59	27	35	30	12	58	79	13	12	264	
YE.8.100.050	3.00 - 5.00	3.6	117	85	66	37	45	42	17	82	107	17	18	333	
YE.8.100.100	5.30 - 10.00	9.0	148	110	85	50	56	52	25	110	148	24	22	424	

2 Specificaties / Specifications			Afmetingen / Dimensions (mm)									
Artikel nummer Article code	Capaciteit / Capacity ton	Gewicht / Weight kg	A	B	C	D	E	F	G	H	I	
YE.8.101.013	1.00 - 1.30	0.9	34	81	71	45	73	157	12	13	21	
YE.8.101.025	1.50 - 2.50	1.3	42	99	85	57	88	190	16	14	27	
YE.8.101.050	3.00 - 5.00	3.3	55	133	88	69	110	233	22	18	35	
YE.8.101.100	6.00 - 10.00	10.0	74	176	116	83	161	337	30	27	51	
YE.8.101.200	12.00 - 20.00	20.4	110	228	134	108	182	437	42	31	77	
YE.8.101.320	32.00	46.5	154	307	189	164	272	560	52	40	102	